

**CITY OF HEMET  
PUBLIC WORKS DEPARTMENT**

**STANDARD DRAWINGS**

CITY OF HEMET PUBLIC WORKS DEPARTMENT

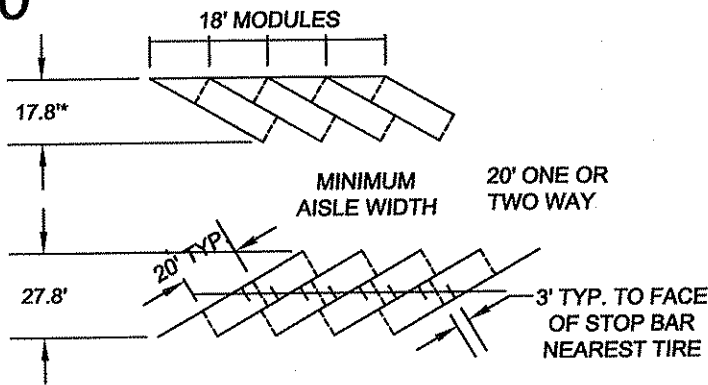
STANDARD DRAWINGS

TABLE OF CONTENTS (Cont.)

STANDARD No.	PARKING LOTS
P-400	PARKING STANDARDS
P-401	PARKING STRIPING

Text in ***BOLD ITALICS*** indicates 2011 revisions.

30°

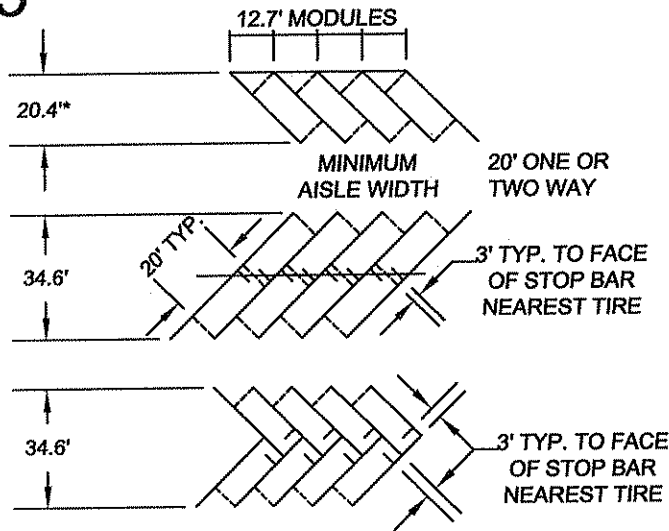


**\*NOTE:**

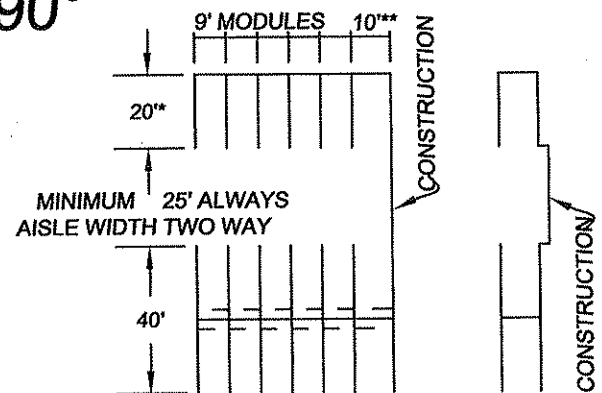
WHERE BUMPERS OVERHANG PLANTERS OR RAISED WALKWAYS, DEPTH OF PARKING STALLS MAY BE REDUCED:

- 30° PARKING-1.0'
- 45° PARKING-1.4'
- 53° PARKING-1.6'
- 60° PARKING-1.7'
- 70° PARKING-1.9'
- 90° PARKING-2.0'

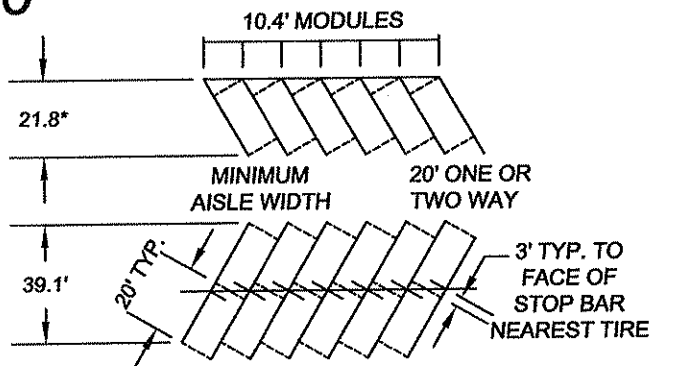
45°



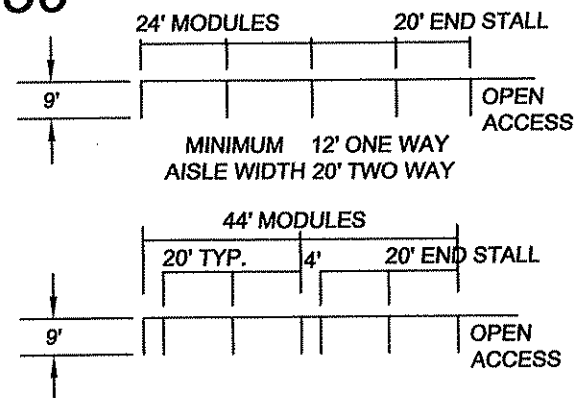
90°



60°

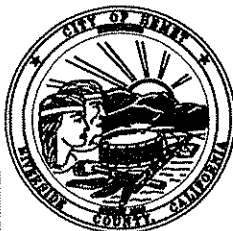


180°




NOTE:

180° STALLS CAN NOT BE OPPOSITE 90° STALLS

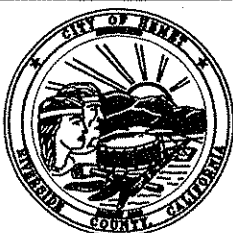
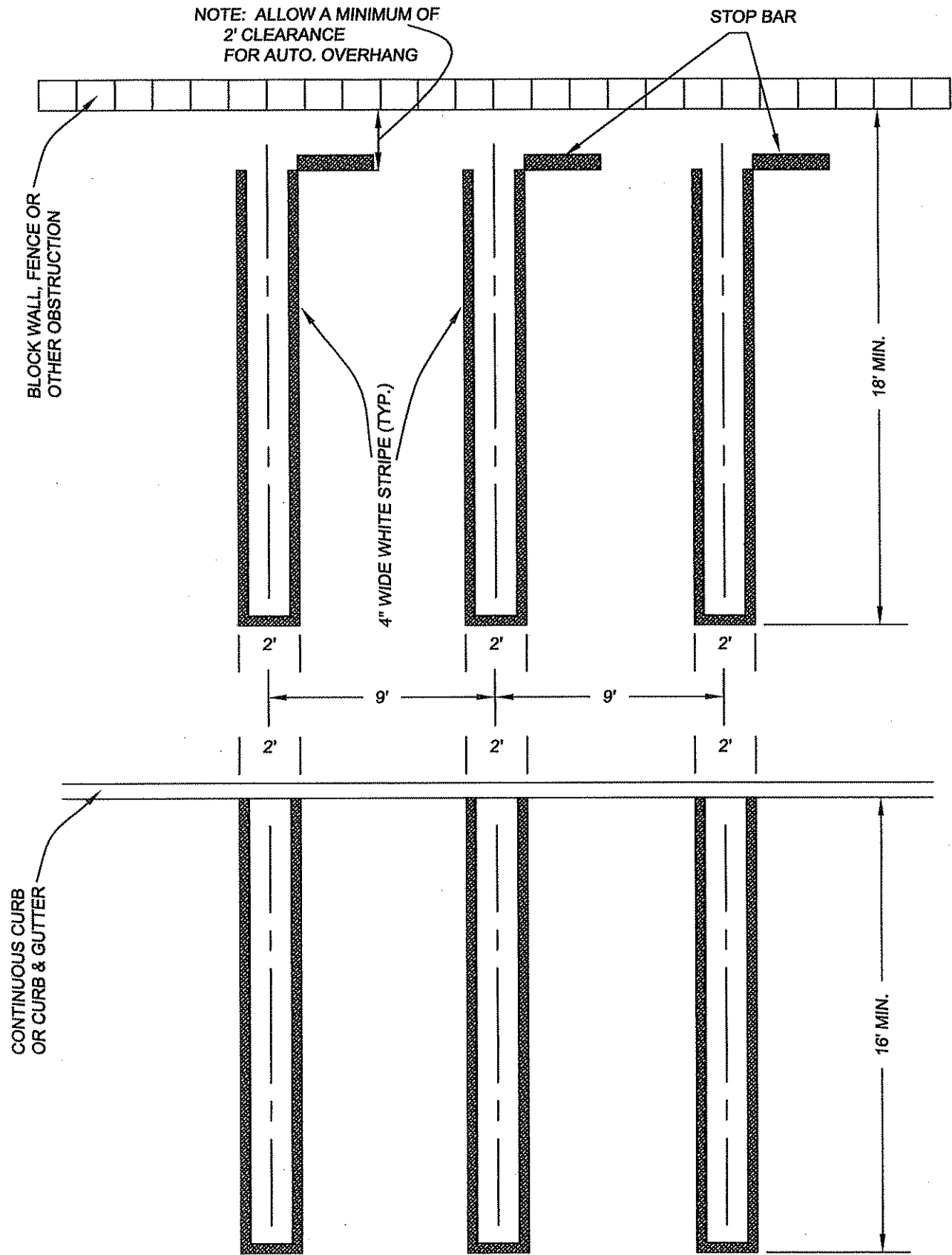


**City of Hemet**  
**PUBLIC WORKS DEPARTMENT**  
**ENGINEERING DIVISION**  
 510 E. FLORIDA AVENUE  
 HEMET, CA 92543  
 (951) 765-2360

**PARKING LOT STANDARDS**

 MICHAEL A. GOW, PW DIRECTOR/CITY ENG. R.C.E. 54164		MAR 2009	1 OF 1 SHEETS
		DATE	
REVISIONS			
N:\PW\4100\COH_STDS\REVISIONS\PARKING\P-400.dwg			N.Bellran 2009

**STANDARD NO.**  
**P-400**



**City of Hemet**  
**PUBLIC WORKS DEPARTMENT**  
**ENGINEERING DIVISION**  
 510 E. FLORIDA AVENUE  
 HEMET, CA 92543  
 (951) 765-2360

**PARKING LOT STALL  
 PAINTING DIAGRAM**

<i>M. A. Gow</i>	MAR 2009
MICHAEL A. GOW, PW DIRECTOR/CITY ENG. R.C.E. 54164	DATE
REVISIONS	
N:\PW4100\COH_STDS\REVISIONS\PARKING\P-401.dwg	
N.Beltran 2009	

1  
 OF 1 SHEETS  
**STANDARD NO.**  
**P-401**